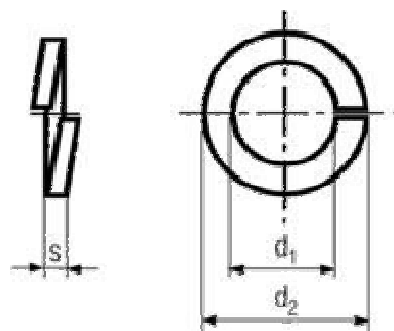


## DIN 127 - Шайби пружинни



\*Всички размери са в милиметри (mm)\*

| <b>d<sub>1</sub></b> | <b>for screw size</b> | <b>d<sub>2</sub></b> | <b>s</b> |
|----------------------|-----------------------|----------------------|----------|
| 2.1                  | M2                    | 4.4                  | 0.5      |
| 2.6                  | M2.5                  | 5.1                  | 0.6      |
| 3.1                  | M3                    | 6.2                  | 0.8      |
| 3.6                  | M3.5                  | 6.7                  | 0.8      |
| 4.1                  | M4                    | 7.6                  | 0.9      |
| 5.1                  | M5                    | 9.2                  | 1.2      |
| 6.1                  | M6                    | 11.8                 | 1.6      |
| 8.1                  | M8                    | 14.8                 | 2        |
| 10.2                 | M10                   | 18.1                 | 2.2      |
| 12.2                 | M12                   | 21.1                 | 2.5      |
| 14.2                 | M14                   | 24.1                 | 3        |
| 16.2                 | M16                   | 27.4                 | 3.5      |
| 18.2                 | M18                   | 29.4                 | 3.5      |
| 20.2                 | M20                   | 33.6                 | 4        |
| 22.5                 | M22                   | 35.9                 | 4        |
| 24.5                 | M24                   | 40                   | 5        |
| 27.5                 | M27                   | 43                   | 5        |
| 30.5                 | M30                   | 48.2                 | 6        |
| 33.5                 | M33                   | 55.2                 | 6        |
| 36.5                 | M36                   | 58.2                 | 6        |
| 39                   | M38                   | 61.2                 | 6        |
| 42.5                 | M42                   | 68.2                 | 7        |
| 45.5                 | M45                   | 71.2                 | 7        |
| 49                   | M48                   | 75                   | 7        |
| 53                   | M52                   | 86                   | 8        |